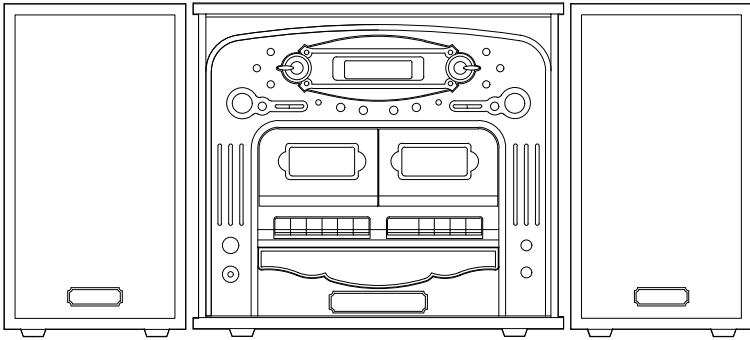


TEAC




SERVICE MANUAL

GF-600

Compact Hi-Fi Stereo System

NOTES

- PC boards shown are viewed from parts side.
- Parts marked with * require longer delivery time.
- The parts with no reference number or no parts number in the exploded views are not supplied.
- As regards the resistors and capacitors, refer to the circuit diagrams contained in this manual.
-  Parts marked with this sign are safety critical components. They must be replaced with identical components – refer to the appropriate parts list and ensure exact replacement.
- Parts of [] mark can be used only with the version designated.
- [US]:U.S.A.[C]:CANADA[SA]:SOUTH AMERICA

CONTENTS

1 SAFETY INFORMATION	2
2 SPECIFICATIONS	3
3 ADJUSTMENT AND CHECKS	4
3-1 AMPLIFIER SECTION.....	4
3-2 TUNER SECTION.....	5
3-3 CD PLAYER SECTION.....	7
3-4 CASSETTE DECK SECTION.....	8
3-5 TURNTABLE SECTION.....	10
4 EXPLODED VIEWS AND PARTS LIST	11
5 PC BOARDS AND PARTS LIST	21
6 WIRING DIAGRAM	28

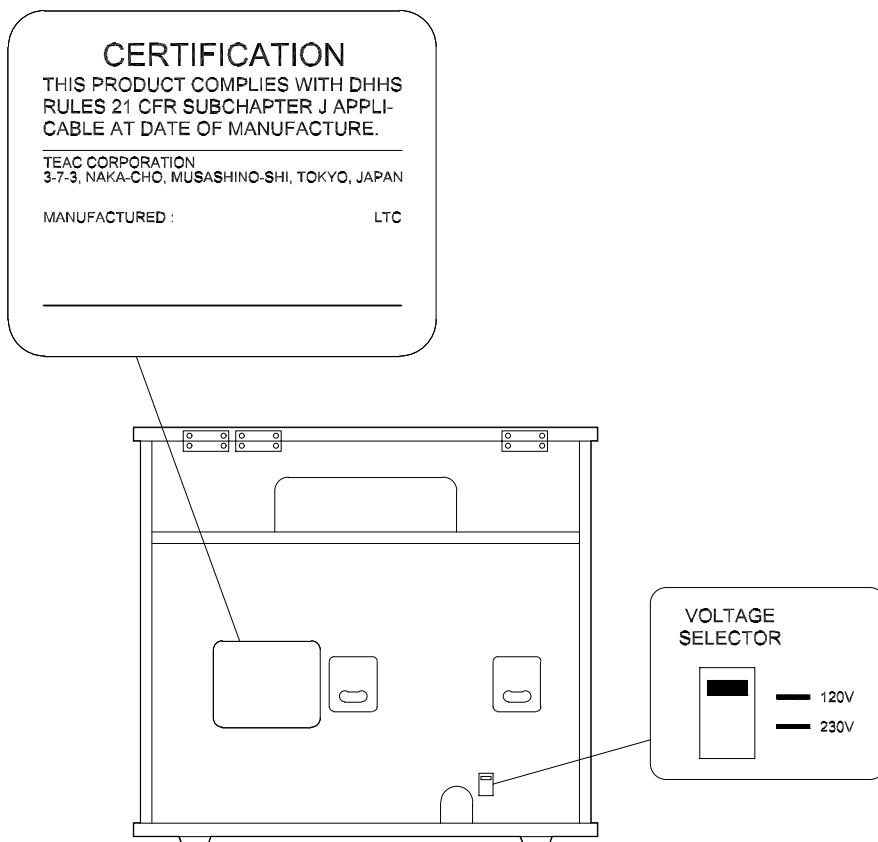
1 SAFETY INFORMATION

SAFETY INFORMATION

This product has been designed and manufactured according to FDA regulations “title 21, CFR, chapter 1, subchapter J based on the Radiation Control for Health and Safety Act of 1986” and is classified as class 1 laser product. There is no hazardous invisible laser radiation during operation because invisible laser radiation emitted inside of this product is completely confined in the protective housings. The label required in this regulation is shown below.

● **CAUTION**

USE OF CONTROLS OR ADJUSTMENT OR PERFORMANCE OF PROCEDURES OTHER THAN THOSE SPECIFIED HERE IN MAY RESULT IN HAZARDOUS RADIATION EXPOSURE.



Optical pickup:

Type	:	SLD104u
Manufacturer	:	SONY Corporation
Laser output	:	Less than 0.5mV on the objective lens
Wavelength	:	760 – 800 nm

2 SPECIFICATIONS

AMPLIFIER Section

Output Power.....15W+15W
 Input Sensitivity.....220mV
 Frequency Response.....50 to 20,000 Hz

TUNER Section (FM)

Frequency Range.....87.50 to 108.00 MHz
 Sensitivity (S/N30dB).....20dB μ V

TUNER Section (AM)

Frequency Range.....530 to 1710 kHz
 Sensitivity (S/N20dB).....60dB μ V/m

CD PLAYER Section

Frequency Response.....20 to 20,000Hz (\pm 1dB)
 Signal-to-Noise Ratio.....55dB
 Wow and Flutter.....Unmeasurable

CASSETTE DECK Section

Track System.....4 track, 2 channel Stereo
 Tape Speed.....4.8cm/sec
 Wow and Flutter.....0.35% (WRMS)
 Frequency Response.....100 to 8,000 Hz
 Signal-to-Noise Ratio.....35dB

RECORD PLAYER Section

Motor.....DC servo motor
 Drive System.....Belt Drive
 Speed.....33-1/3 rpm, 45 rpm, 78 rpm
 Wow and Flutter.....less than 2.5% (WRMS)
 S/N ratio.....More than 50dB
 Cartridge type.....Ceramic Stereo Cartridge

SPEAKER SYSTEM Section

Type.....2-way bass reflex
 Impedance.....6 ohms

GENERAL

Power Requirements.....120V, 60Hz (U.S.A./Canada model)
 120V/230V AC, 50-60Hz (General export model)

Power Consumption.....50W

Dimension (W x H x D)

Main Unit.....395 x 379 x 277 mm
 (15-9/16" x 14-15/16" x 14-13/16")

Speaker.....20 x 172 x 377 mm (7-7/8" x 6-3/4" x 14-13/16")

Weight

Main Unit.....11.6 kg (25-1/2 lb)

Speaker.....2.8 kg (6-3/16 lb) x 2

Standard Accessories

Remote Control Unit (RC-905) x 1
 45 RPM adaptor x 1
 Owner's Manual x 1
 Warranty Card x 1

- Design and specifications are subject to change without notice.
- Illustrations may differ slightly from production models

3 ADJUSTMENT AND CHECKS

- 0 dB is referenced to 1.0V.
- Load impedance:
SPEAKERS: 6 ohm (40W or more)
PHONES: 1k ohm (1/4W)
- Specified input level: -3dB (AUX)
- VOLUME position: VOL 20
- Unless specified otherwise, measurements are made in PHONES jack

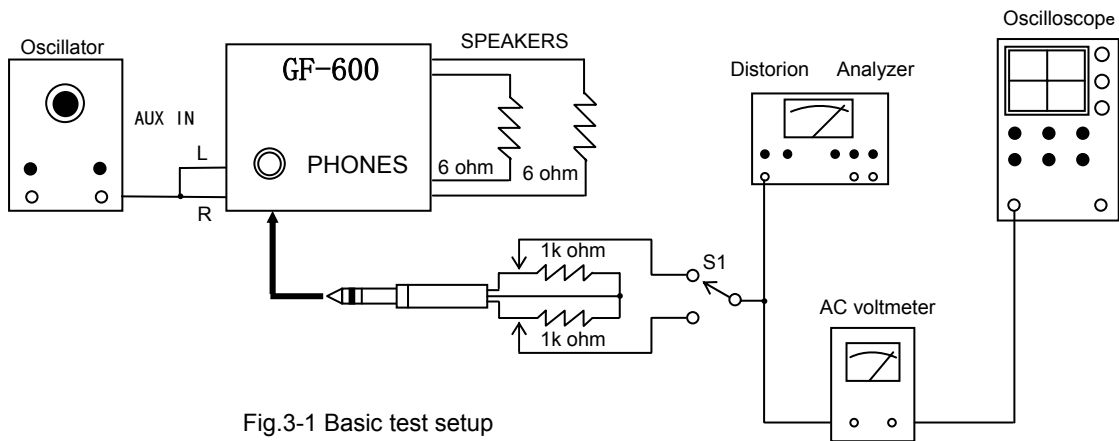


Fig.3-1 Basic test setup

3.1 AMPLIFIER SECTION

ITEM	INPUT SIGNAL (AUX IN)	SPECIFICATIONS	REMARKS
1.AUX input sensitivity	1KHz /-3dB	-4 +/-3dB	Reference output level
2.Harmonic distortion	1KHz /-3dB	1.0% or less	
3.Frequency response	40Hz,100Hz,20kHz	40Hz: 9 +/-3dB 100Hz: 7 +/-3dB 20kHz: 3 +/-3dB	Reference level:1kHz
4.S/N ratio	No signal	50dB or better	Ratio of reference output level to noise
5.Maximum output power	1KHz	THD:10% or less	VOLUME: MAX

3-2 TUNER SECTION

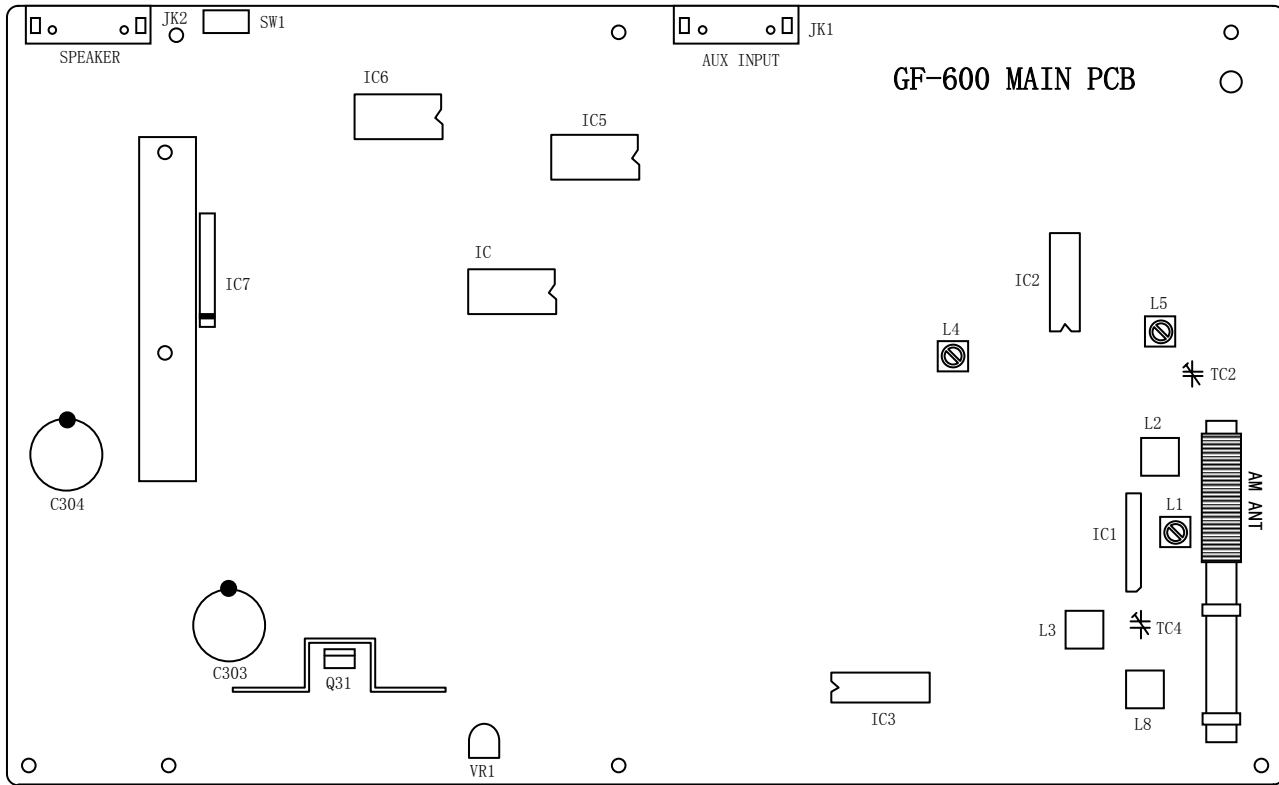


FIG 3-2 Adjustment locations

3-2-1 AM TUNER

ITEM	SIGNAL GENERATOR SETTING				GF-600	ADJUSTMENTS	MEASURING POINTS,RESULT
	Audio	Modulation	Frequency	Output			
1.Voltage adjustment					1710kHz	L5	VT 8.0V
					530kHz	Check	VT 0.9V
2.IFT adjustment	1kHz	30%	600kHz	76 dBuV	600kHz	L4	Maximum output level
3.Tracking adjustment	1kHz	30%	600kHz	76 dBuV	600kHz	Ant coil	Maximum output level
	1kHz	30%	1400kHz	76 dBuV	1400kHz	TC2 Repeat step 3	Maximum output level

GF-600

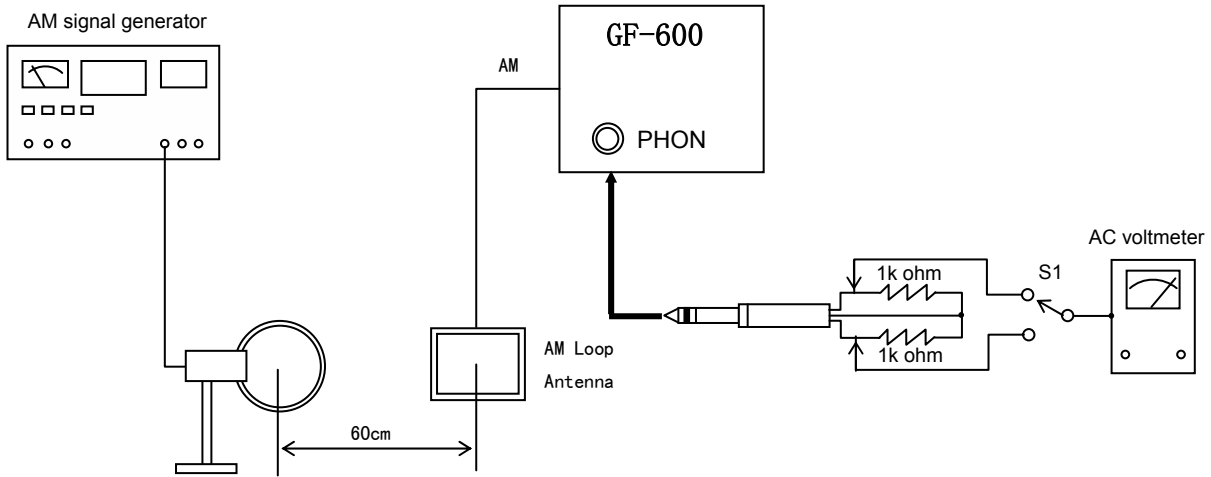


Fig.3-3

3-2-2 FM TUNER

ITEM	SIGNAL GENERATOR SETTING				GF-600	ADJUSTMENTS	MEASURING POINTS, RESULT
	Audio	Modulation	Frequency	Output			
1. Voltage adjustment					108.0MHz	L2	VT 8.0V
					87.5MHz	Check	VT 2.4V
2. IFT adjustment	1kHz	22.5kHz	90.1MHz	22.5 dBuV	90.1MHz	L1	Maximum output level
3. Tracking adjustment	1kHz	22.5kHz	90.1MHz	76 dBuV	90.1MHz	L3	Maximum output level
	1kHz	22.5kHz	106.0MHz	76 dBuV	106.0MHz	TC4 Repeat step 3	Maximum output level

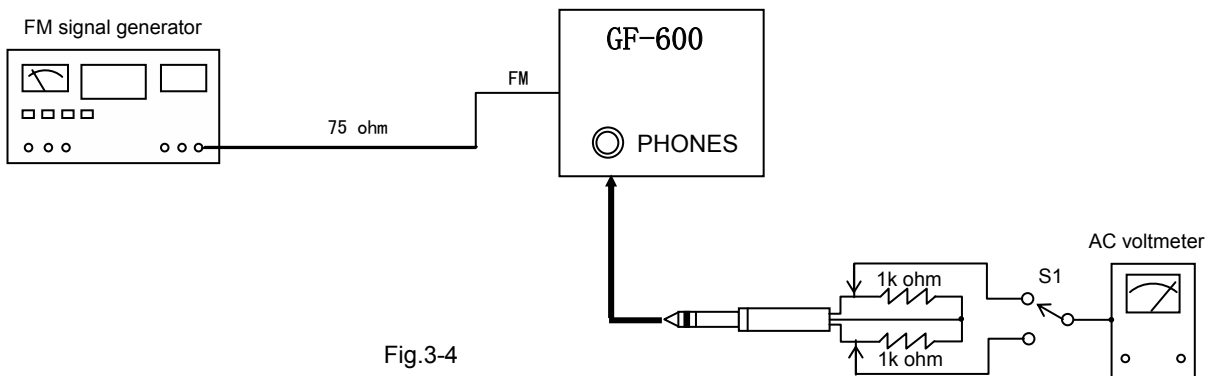


Fig.3-4

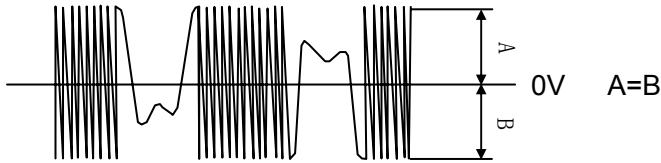
3-3 CD PLAYER SECTION

3-3-1 ADJUSTMENT

- Set all of the adjustment volumes to the center position.
- Use an oscilloscope that has a bandwidth greater than 40MHz.
- Use MCD-111 test disc.

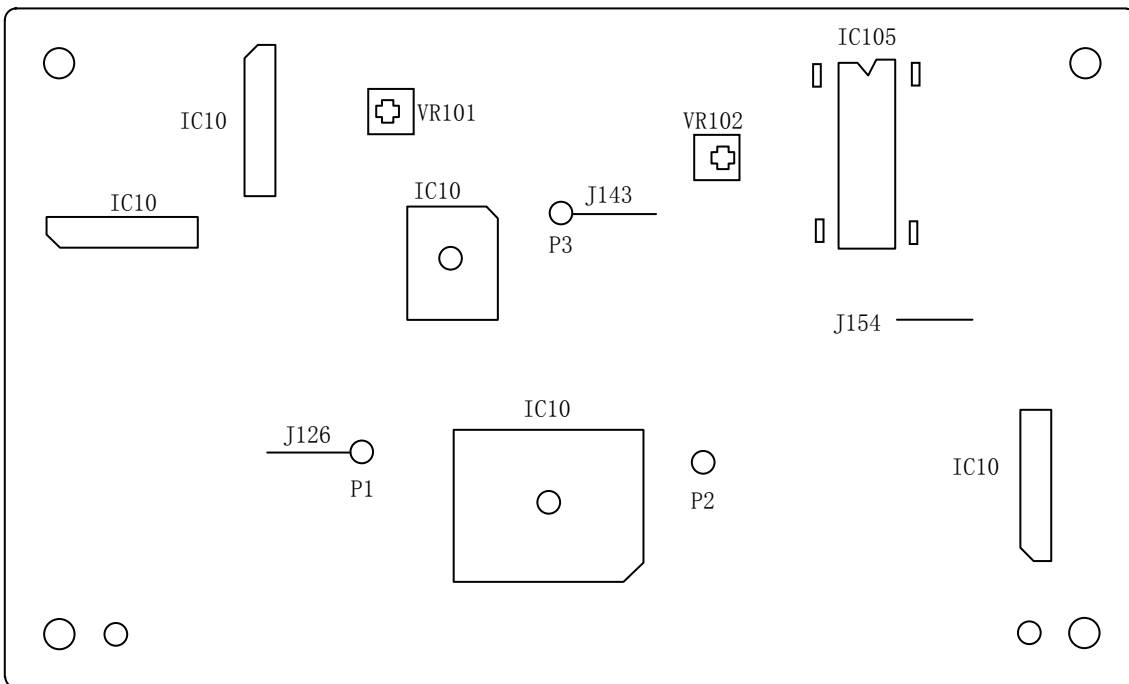
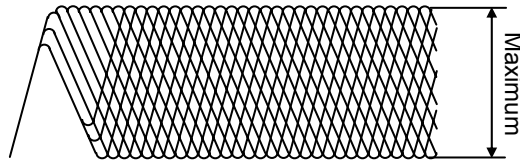
A. EF balance adjustment

1. Connect the probe to P1 or J126(TE) and the probe ground to P2 or J154(VC).
2. In the search mode, and adjust VR101 so that the upper and lower amplitudes of the waveform become equal above and below 0V.



B. RF level adjustment

1. Connect the probe to P3 or J143(RF) and the probe ground to P2 or J154(VC).
2. In the play mode, and adjust VR102 so that the waveform on the oscilloscope becomes maximum.



GF-600

3-3-2 Audio performance

ITEM	DISC		SPECIFICATIONS	REMARKS
	TRACK No.	FREQUENOY/LEVEL		
1.Output level	2	1KHz/0dB	6 ±3dB	
2.Harmonic distortion	2	1KHz/0dB	0.5% or less	
3.Frequency response	4,6	100Hz,20KHz/0dB	+1, -3dB	Reference level: 1KHz
4.S/N ratio	7	-∞dB	50dB or better	

3-4 CASSETTE DECK SECTION

Before performing adjustments and checks clean and demagnetize the entire tape path.

3-4-1 Mechanical performance

ITEM	TEST TAPE	SPECIFICATIONS
1.Wow and flutter (playback method)	MTT-111N	0.35% or less (JIS WTD)
2.Tape speed deviation	MTT-111N	3000 ±120Hz (Adjustment points: VR1)
3.Tape speed drifting	MTT-111N	Within ±90Hz

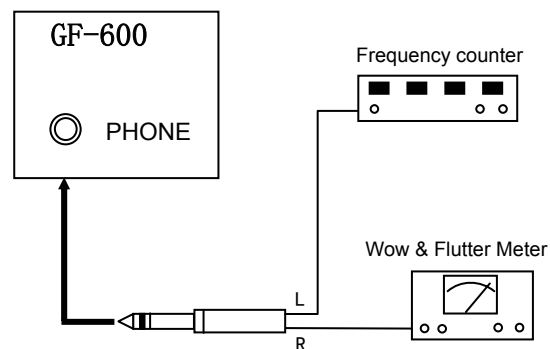


Fig.3-6

3-4-2 PLAYBACK PERFORMANCE

ITEM	TEST TAPE	PLAYBACK FREQUENCY	ADJUSTMENTS	MEASURING POINTS, RESULT	REMARKS
1.Head azimuth adjustment	MTT-25702	8KHz	Azimuth screw	Maximum output level at L/R-ch	Fig.3-7
	MTT-25702	250Hz	Check	Phase:within 45° (Fig.3-8)	
2.Playback output level	MTT-150C	Dolby B type tone	Check	-4 ±3dB	Reference output level
3.Playback frequency response	MTT-25702	8KHz	Check	±5dB	Reference level:250KHz
4.Playback S/N ratio	MTT-5513	Playback the leader tape portion	Check	40dB min	Ratio of reference level to noise

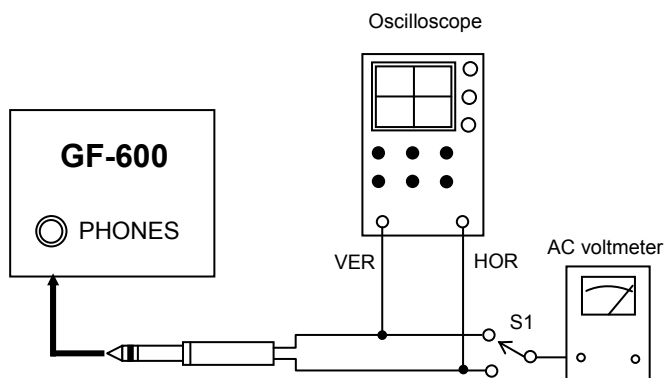


Fig.3-7 Test setup for azimuth check

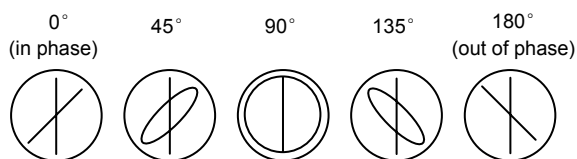


Fig.3-8 Confirming phase relationship

3-4-3 Recording performance

ITEM	TEST TAPE	INPUT SIGNAL (AUX in)	ADJUSTMENTS	MEASURING POINTS, RESULT	REMARKS
1.Bias osc frequency	MTT-5513		Check	85KHz	
2.Total harmonic distortion	MTT-5513	400Hz/-6dB	Check	3.0% or less	
	MTT-5563				
3.Overall frequency response	MTT-5513	8KHz/-28dB	Check	+3 to 4dB	Reference level: 250Hz
	MTT-5563				
4.Overall S/N Ratio	MTT-5513	NO signal	Check	35dB min	Ratio of reference level to noise

GF-600

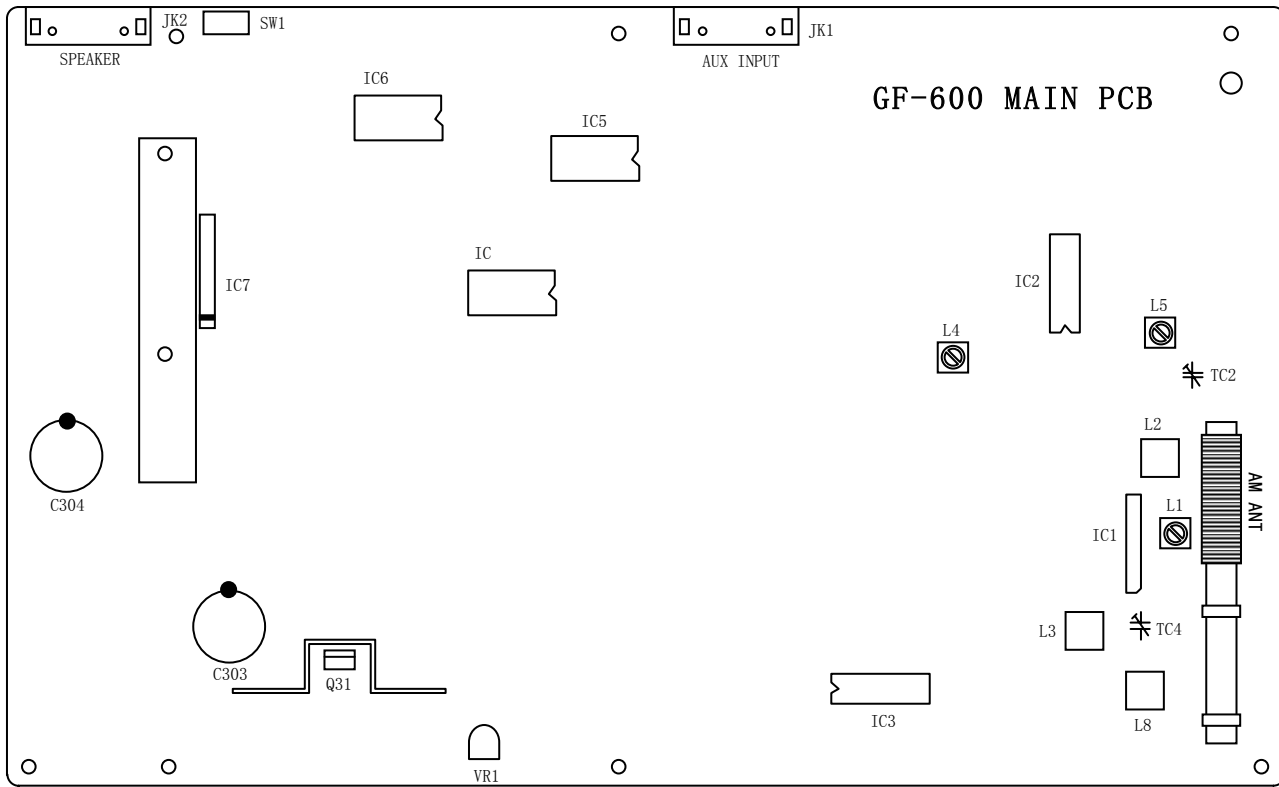


FIG 3-9 Adjustment locations

3-5 TURNTABLE SECTION

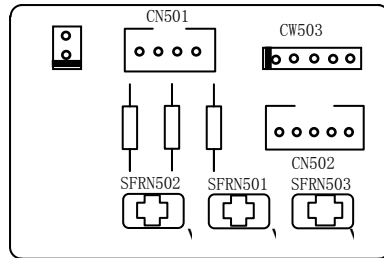
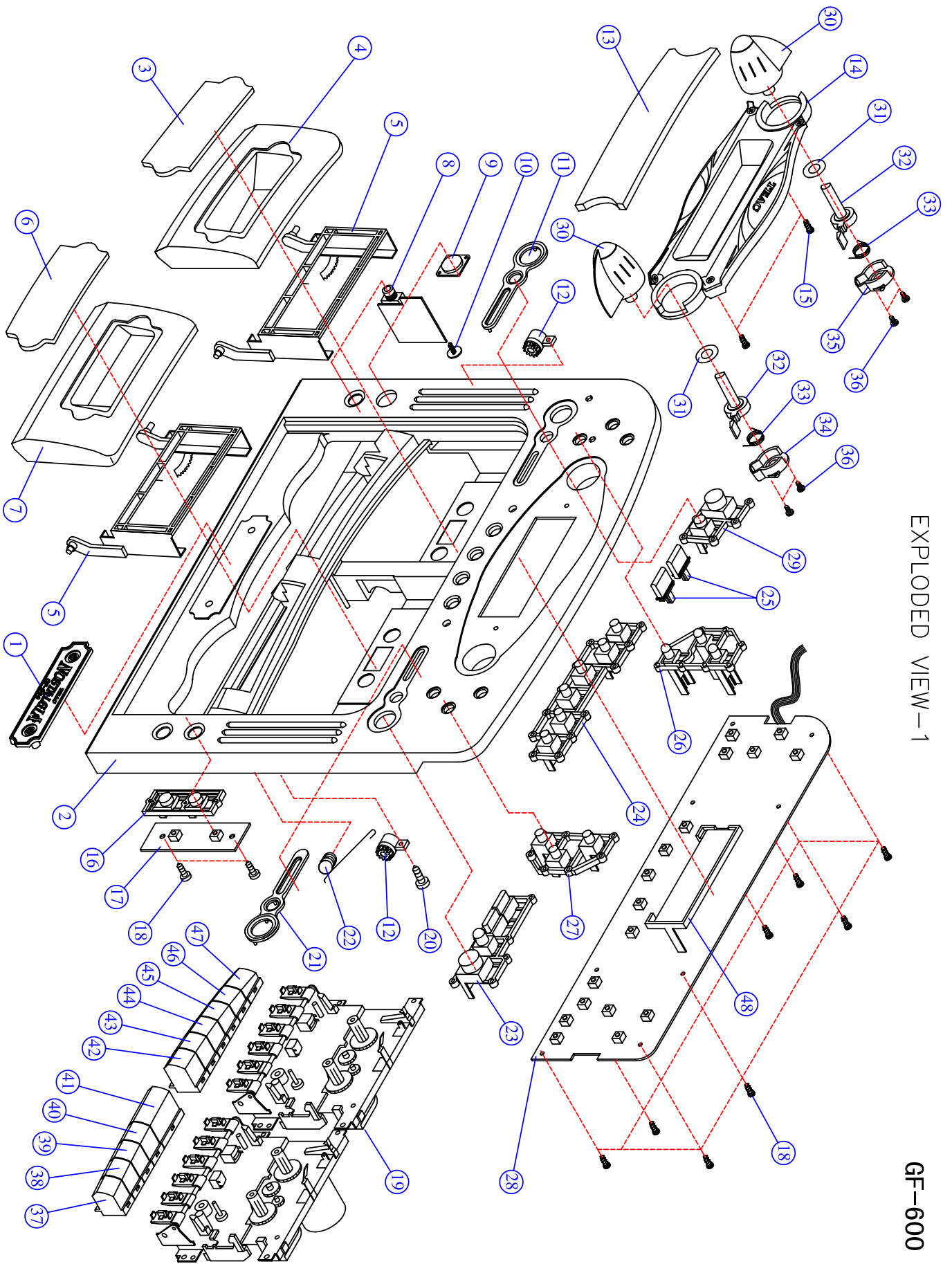


FIG 3-10

TURNTABLE

ITEM	HP-4005	Adjustment point	Speed	Adjustment	Wow & Flutter
	Number.				
33	NO.3	SFR502	3000Hz	$\pm 30\text{Hz}$	< 0.35%
45	NO.4	SFR501	3000Hz	$\pm 30\text{Hz}$	---
78	NO.4	SFR503	5200Hz	$\pm 30\text{Hz}$	---



EXPLODED VIEW-1

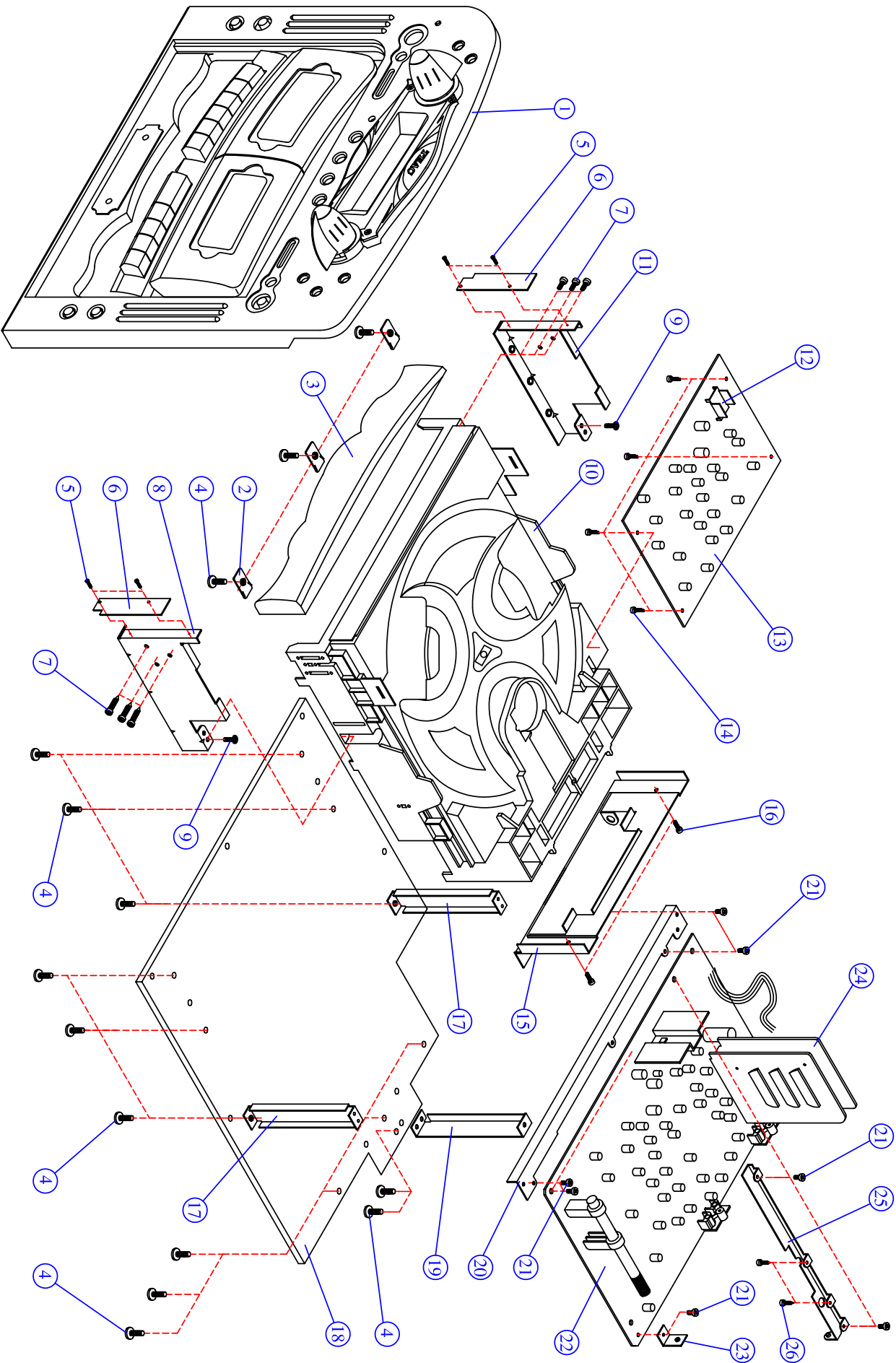
GF-600

EXPLODED VIEW-1

REF. NO	PARTS NO.	DESCRIPTION	REMARKS
1-1	010-G6000000	NAME PLATE	
1-2	001-G6000000	FRONT PANEL	
1-3	007-G6000100	CASS WINDOW(A)	
1-4	005-G6000000	CASS DOOR(A)	
1-5	005-28000001	CASS HOLDER	
1-6	007-G6000200	CASS WINDOW(B)	
1-7	005-G6000100	CASS DOOR(B)	
1-8	100-G6002030	HEAD PHONE/SENSOR PCB ASS'Y	
1-9	007-G6000300	REMOTE COVER LENS	
1-10	021-43010033	SCREW Ø3x10MM,PWT BLK HD(Ø=11.5MM)	
1-11	010-G6000200	KEY RING(L)	
1-12	008-0GP18000	GEAR DUMPER ASS'Y	
1-13	007-G6000000	LCD DISPLAY WINDOW	
1-14	001-G6002040	LCD ORNAMENT PANEL	
1-15	021-13008032	SCREW Ø3x8MM PT ZMC HD	
1-16	004-G6000700	CD OPEN/CLOSE KNOB	
1-17	100-G6002040	CD OPEN/CLOSE PCB ASS'Y	
1-18	021-13010032	SCREW Ø3x10MM PT ZMC HD	
1-19	038-201831C0	CASSETTE MECHA	
1-20	021-43008052	SCREW Ø3x8MM PWB ZMC HD	
1-21	010-G6000100	KEY RING(R)	
1-22	031-28000110	CASS SPRING	
1-23	004-G6000200	CD CONTROL KNOB	
1-24	004-G6000600	FUNCTION KNOB	
1-25	004-G6000500	BBS/DOUBLE SPEED KNOB	
1-26	004-G6000100	DISPLAY KNOB	
1-27	004-G6000300	DISC KNOB	
1-28	100-G6002020	FRONT PCB ASS'Y	
1-29	004-G6000400	POWER KNOB	
1-30	004-G6000000	VOLUME/TUNER KNOB	
1-31	012-02120612	PVC WASHER Ø12x Ø6.1xT0.2MM	
1-32	009-28000000	SWITCH LEVER	
1-33	031-28000010	VOLUME SPRING	
1-34	010-SD900800	TUNER SPRING COVER	
1-35	010-SD900700	VOLUME SPRING COVER	
1-36	021-42606032	SCREW Ø2.6x6MM PWT ZMC HD	
1-37	004-29301801	CASS KNOB 5 R<C/LEVER R5>	
1-38	004-29301701	CASS KNOB 4 R<C/LEVER R4>	
1-39	004-29301601	CASS KNOB 3 R<C/LEVER R3>	
1-40	004-29301500	CASS KNOB 2 R<C/LEVER R2>	
1-41	004-29301401	CASS KNOB 1 R<C/LEVER R1>	
1-42	004-29301301	CASS KNOB 6 L<C/LEVER L6>	
1-43	004-29301201	CASS KNOB 5 L<C/LEVER L5>	
1-44	004-29301101	CASS KNOB 4 L<C/LEVER L4>	
1-45	004-29301001	CASS KNOB 3 L<C/LEVER L3>	
1-46	004-29300901	CASS KNOB 2 L<C/LEVER L2>	
1-47	004-29300801	CASS KNOB 1 L<C/LEVER L1>	
1-48	009-28000100	LCD HOLDER	

EXPLODED VIEW-2

GF-600

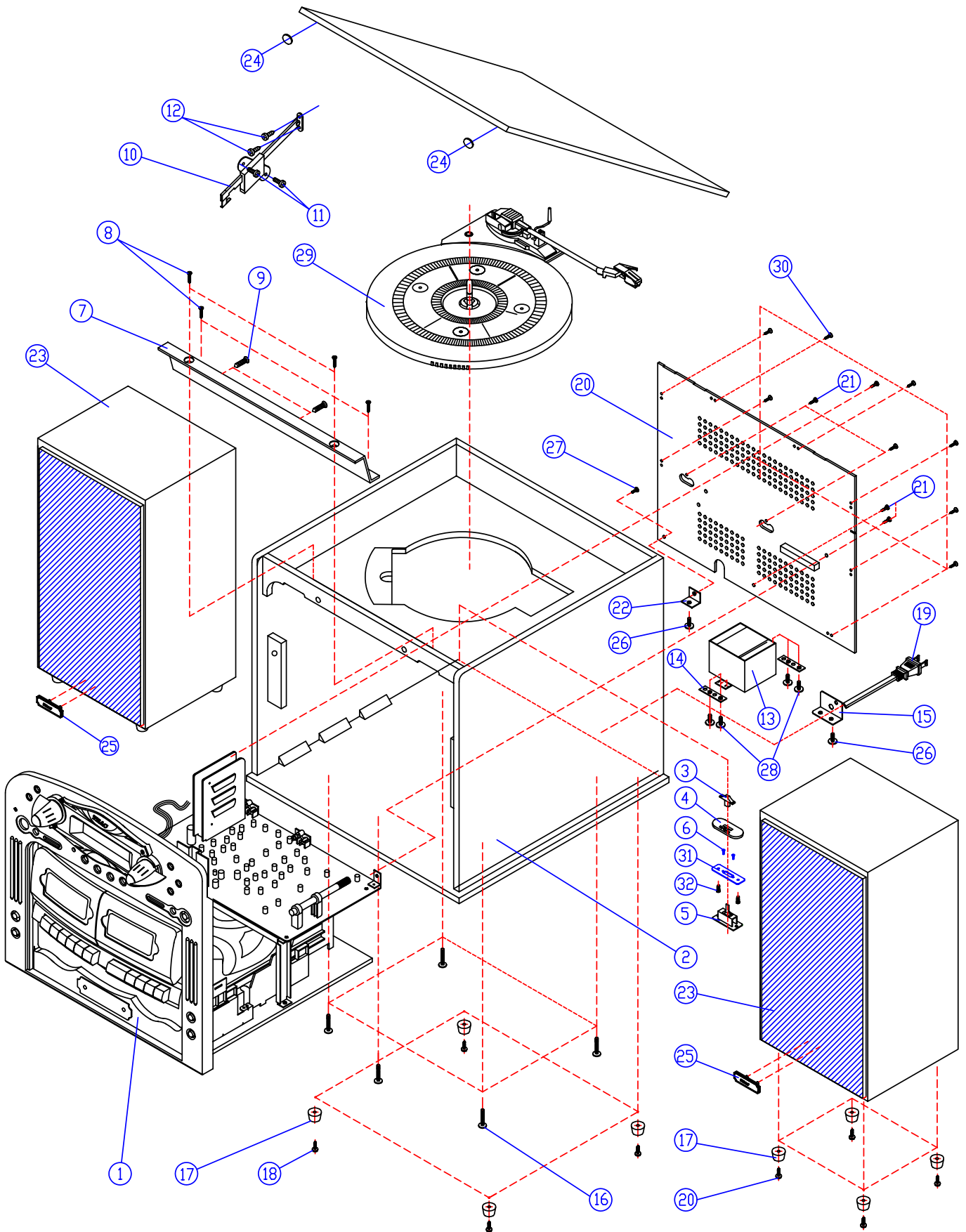


EXPLODED VIEW-2

REF. NO	PARTS NO.	DESCRIPTION	REMARKS
2 - 1		FRONT PANEL ASS'Y	
2 - 2	011-28000600	PANEL BKT	
2 - 3	006-G6000000	CD DOOR	
2 - 4	022-44022033	SCREW Ø4x22MM PWM BLK HD	
2 - 5	022-92006033	SCREW Ø2x6MM CM BLK HD	
2 - 6	015-G6001000	OBSTRUCT PVC	
2 - 7	024-23010032	SCREW Ø3x10MM BA ZMC HD	
2 - 8	011-G6000100	CD FRONT BKT R	
2 - 9	022-43010033	SCREW Ø3x10MM PWM BLK HD	
2 - 10	039-29303330	CD DECK ASS'Y	
2 - 11	011-G6000200	CD FRONT BKT L	
2 - 12	018-OLT98000	HEAT SINK (FOR CD PCB)	
2 - 13	100-29302060	CD PCB ASS'Y	
2 - 14	021-13008032	SCREW Ø3x8MM PT ZMC HD	
2 - 15	011-G6000300	CD BACK BKT	
2 - 16	021-13010032	SCREW Ø3x10MM PT ZMC HD	
2 - 17	011-28000200	HOLDER LEG A	
2 - 18	016-G6000100	INNER BOTTOM BOARD	
2 - 19	011-28000300	HOLDER LEG B	
2 - 20	011-28000401	HOLDER BAR	
2 - 21	022-23006032	SCREW Ø3x6MM BM ZMC HD	
2 - 22	100-G6002010	10W MAIN PCB ASS'Y	
2 - 23	011-28000500	PCB HOLDER BKT	
2 - 24	018-G6000000	POWER IC HEAT SINK	
2 - 25	011-28001100	STRONG BKT	

EXPLODED VIEW-3

GF-600

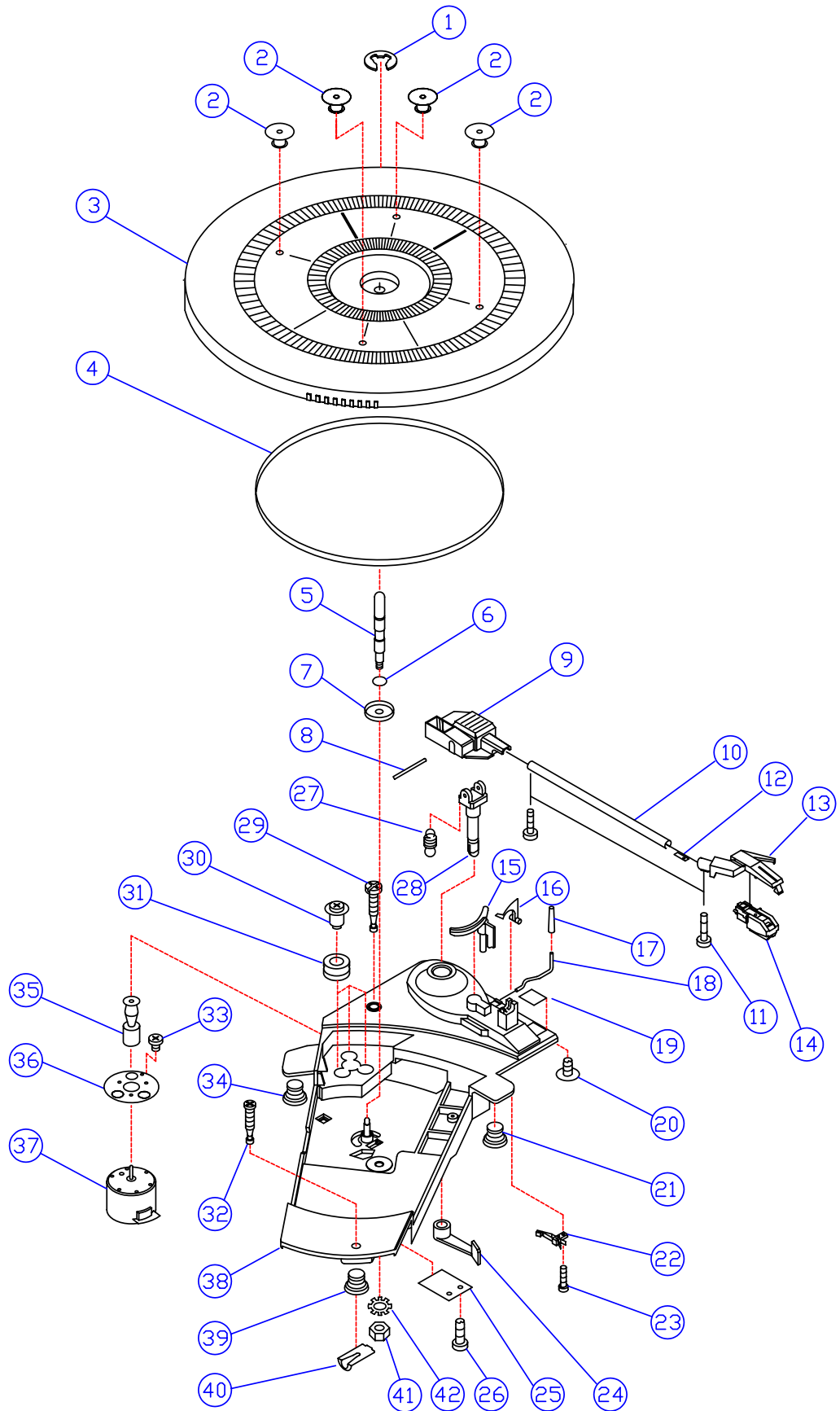


EXPLODED VIEW-3

REF. NO	PARTS NO.	DESCRIPTION	REMARKS
3 - 1		FRONT PANEL ASS'Y	
3 - 2	016-G6000000	WOODEN CABINET ASS'Y	
3 - 3	004-M9700000	SPEED SW. KNOB	
3 - 4	010-M9700000	SPEED SW. COVER	
3 - 5	100-F1802030	PHONO SPEED SW. PCB ASS'Y	
3 - 6	022-12604032	SCREW Ø2.6x4MM PM ZMC	
3 - 7	010-G6000300	PLAYER COVER	
3 - 8	024-33012033	SCREW Ø3x12MM KA BLK HD	
3 - 9	021-24014033	SCREW Ø4x14MM BT BLK HD	
3 - 10	011-F1800500	SIDE STAY ASS'Y	
3 - 11	024-33012033	SCREW Ø3x10MM KA NI HD	
3 - 12	024-23008031	SCREW Ø3x8MM BA NI HD	
3 - 13	△ 084-G6000200	POWER TRANSFORMER 10W 120V/60Hz	
	△ 084-G6000700	POWER TRANSFORMER 10W 120V/230V 50 Hz	
3 - 14	011-02000800	POWER TRANS PLATE	
3 - 15	011-02001500	AC CORD HOLDER	
	011-G6000400	AC CORD HOLDER (NEW)	
3 - 16	022-44022033	SCREW Ø4x22MM PWM BLK HD	
3 - 17	037-KRA20100	RUBBER FOOT	
3 - 18	024-24010033	SCREW Ø4x10MM BA BLACK HD	
3 - 19	△ 087-00000007	AC CORD "UL",L=2000MM.	
3 - 20	016-G6000200	BACK BOARD	
3 - 21	021-43012033	SCREW Ø3x12MM PWT BLK HD	
3 - 22	011-28000000	WOODEN BKT	
3 - 23	048-0G600010	SPEAKER BOX ASS'Y	
3 - 24	037-F3000100	TOP COVER CUSHION	
3 - 25	010-G6000500	SPEAKER NAME PLATE	
3 - 26	022-44014033	SCREW Ø4x14MM PWM BLK HD	
3 - 27	022-44010033	SCREW Ø4x10MM PWM BLK HD	
3 - 28	022-44018033	SCREW Ø4x18MM PWM BLK HD	
3 - 29	040-01000311	PLAYER ASS'Y(3 SPEED DC=9V)	
3 - 30	024-43112033	SCREW Ø3.1x12MM PWA BLK HD	
3 - 31	011-F1001040	SPEED SW. BKT	
3 - 32	021-13010032	SCREW Ø3x10MM PT ZMC HD	

EXPLODED VIEW-4

GF-600

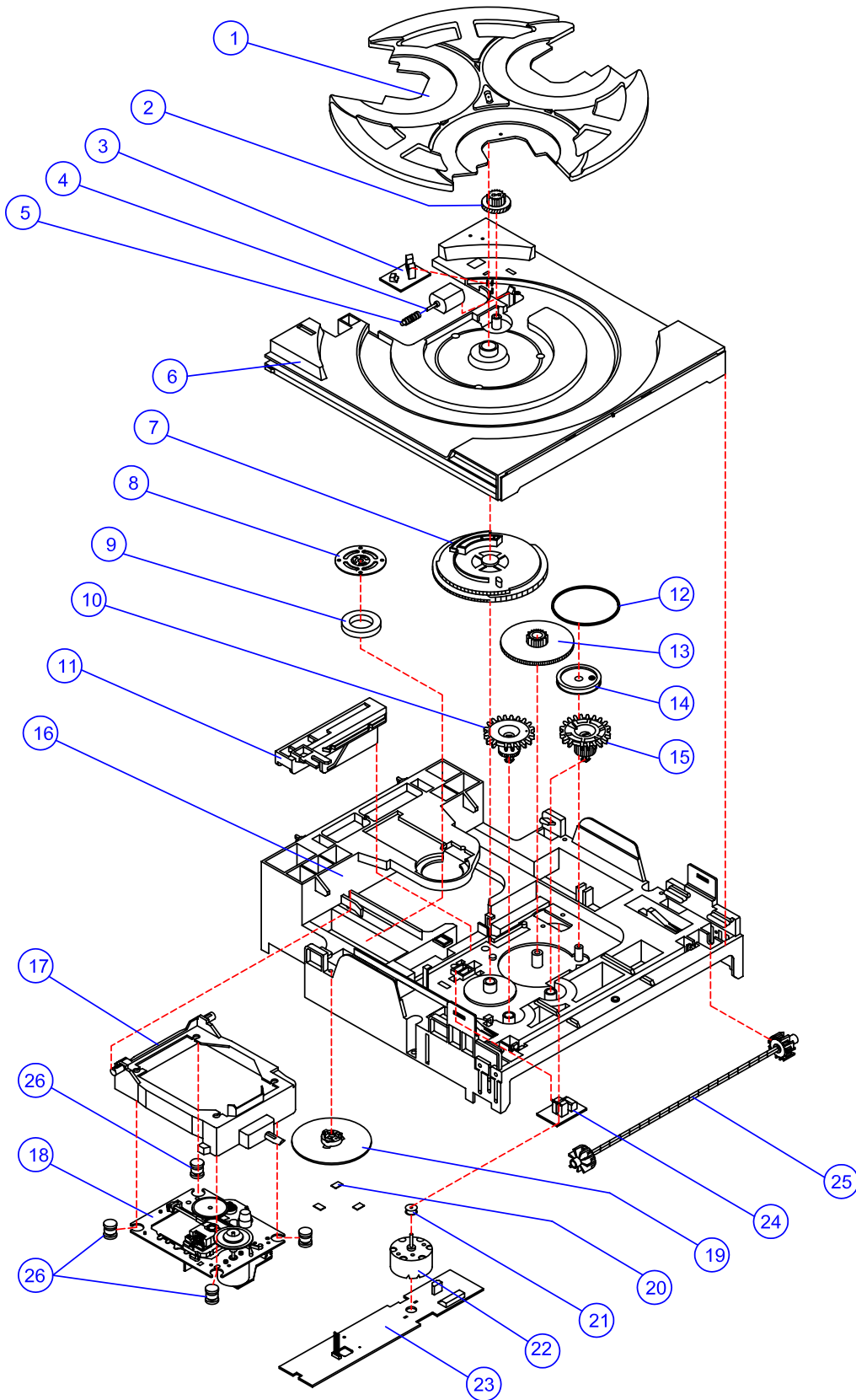


EXPLODED VIEW-4

REF. NO	PARTS NO.	DESCRIPTION	REMARKS
4-1	020-10000200	E-RING (5.0M/M)	
4-2	037-10000000	RUBBER A	
4-3	010-10000300	PLATTER	
4-4	033-17001006	BELT Ø170 x 0.6 x 5MM	
4-5	014-01000000	PLATTER SHAFT	
4-6	012-02116782	PVC WASHER Ø7.8 x Ø11.6 x T0.2	
4-7	020-10000000	SHAFT SET	
4-8	014-01000001	SHAFT A	
4-9	010-10000400	TONE ARM SET	
4-10	011-10000200	TONE ARM	
4-11	021-22005031	SCREW Ø2 x 5 BT ZMC HD	
4-12	011-10000100	GROUND SHEET	
4-13	010-10000500	HEAD SHELL	
4-14	055-01000000	STYLUS ASS'Y	
4-15	010-10000100	LIFTER	
4-16	010-10000200	PICK-UP CRAMPER	
4-17	004-10000000	AXLE KNOB	
4-18	014-01000002	CUTTING LEVER	
4-19	015-10000000	COVER (BLACK)	
4-20	021-43005012	SCREW Ø3x5MM PWT (W=8) ZMC	
4-21	031-10000320	SPRING C ZMC	
4-22	063-01000400	LEAF SWITCH	
4-23	021-12008012	SCREW Ø2x8 PT ZMC	
4-24	010-10000600	CAPSTAN	
4-25	100-F1802020	PHONO SPEED PCB ASS'Y	
4-26	021-13008012	SCREW Ø3x8 PT ZMC	
4-27	031-10000010	SPRING (Ni)	
4-28	010-10000000	ROTARY SHAFT	
4-29	019-01000021	BOLT A NI L=39MM	
4-30	025-01000002	FIX SCREW ZMC	
4-31	037-10000100	RUBBER B	
4-32	019-01000011	BOLT B BLACK L=39MM	
4-33	026-12504022	SCREW Ø2.5x4MM PTT ZMC+SW	
4-34	031-10000110	SPRING A NI	
4-35	017-10000300	PULLEY	
4-36	011-10000300	MOTOR BKT	
4-37	085-01000121	MOTOR DC:12V (3 SPEED)	
4-38	002-10000000	PANEL	
4-39	031-10000230	SPRING B BLK	
4-40	011-10000000	TRANS SPRING BKT	
4-41	013-40000001	NUT M4	
4-42	020-10000100	STOP WASHER	

EXPLODED VIEW-5

GF-600



EXPLODED VIEW-5

REF. NO	PARTS NO.	DESCRIPTION	REMARKS
5-1		TRAY ROULETTE	
5-2		GEAR ROULETTE	
5-3		SENSOR PCB ASS'Y	
5-4		SHEET MOTOR	
5-5		GEAR WORM	
5-6		TRAY DISC	
5-7		GEAR CAM	
5-8		BRKT CHUCK	
5-9		MAGNET	
5-10		GEAR CONVERT	
5-11		SLIDER CAM	
5-12		BELT LOAD	
5-13		GEAR LOAD	
5-14		GEAR PULLEY	
5-15		GEAR TRAY	
5-16		BASE MAIN	
5-17		LEVER LIFTER	
5-18		CMS-A30NG6	
5-19		TABLE CHUCK	
5-20		SHEET CHUCK	
5-21		PULLEY MOTOR	
5-22		MOTOR DC	
5-23		MECHA PCB ASS'Y	
5-24		SW PCB ASS'Y	
5-25		GEAR SYNCRO	
5-26		RUBBER CD	

7 PC BOARD AND PARTS LIST

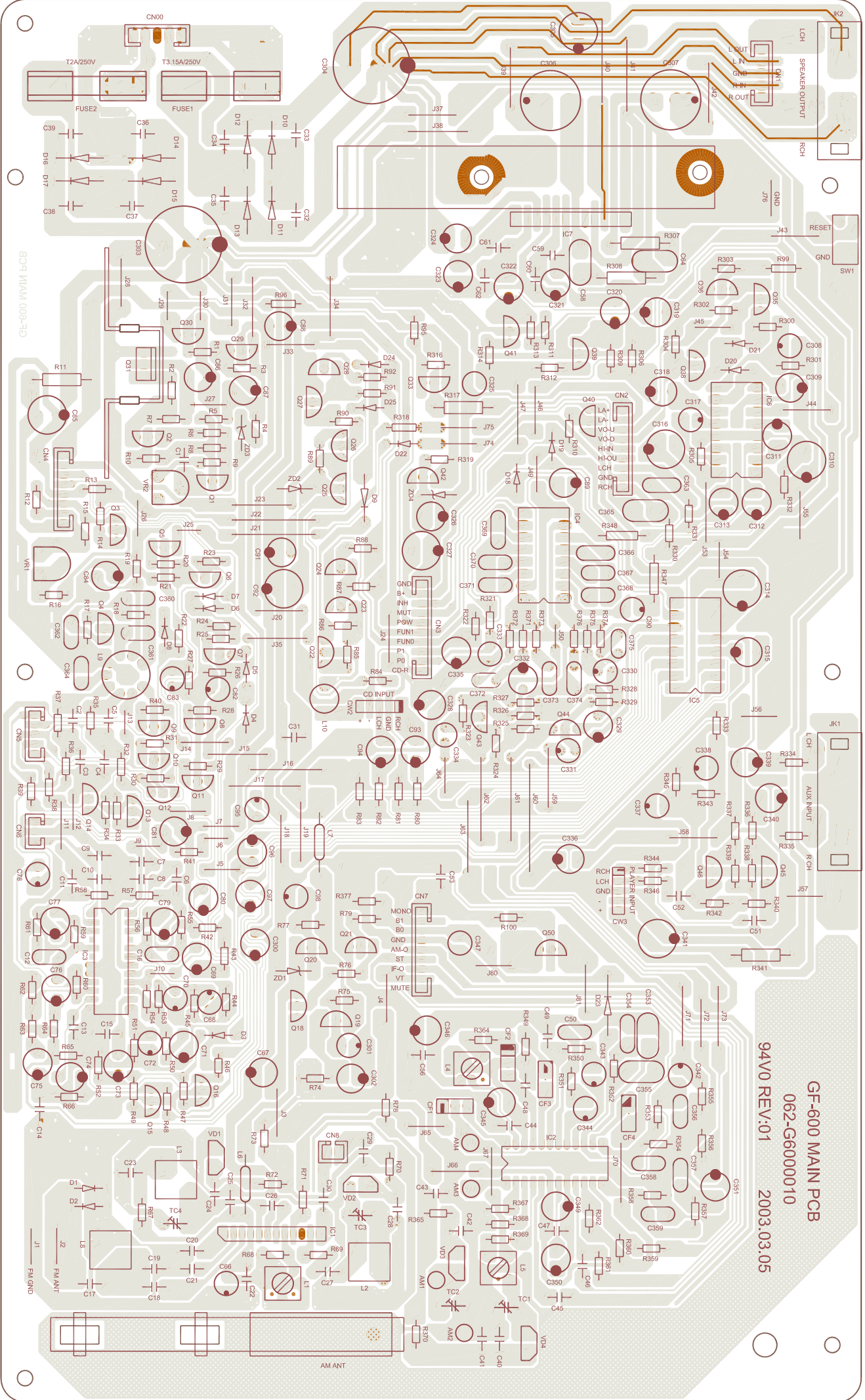
MAIN PCB ASSY

REF. NO	PARTS NO.	DESCRIPTION
	100-G6002010	10W MAIN PCB ASSY
	062-G6000010	MAIN PCB
	018-D2800000	HEAT SINK
	056-10100000	FERRITE BAR Ø10x100MM
	096-D2930010	AM BAR ANT COIL 68:20T
C303	⚠ 072-30220251	E/C CAP 2200UF/25V M
C304	⚠ 072-30330501	E/C CAP 3300UF/50V M
C32,33,34,35	070-32200507	CERAMIC CAP 0.022UF 50V Y5U M
C36,37,38	070-50100507	CERAMIC CAP 0.1UF50V Y5U M
C7,8,9,10	070-30100505	CERAMIC CAP 0.001UF 50V Y5P K
C312,313	072-01000251	E/C CAP 10UF/25V M
C358,359,50	071-31501001	MYLAR CAP 0.015UF 100V J
C21,22,42,56	070-50100507	CERAMIC CAP 0.1UF 50V Y5U M
C301,343,344,346 349,350	072-01000251	E/C CAP 10UF/25V M
CN6,8	082-10300100	CONNECTOR 3PIN P=2.0MM
CN5	082-10500100	CONNECTOR 5PIN P=2.0MM
CN4	082-10800100	CONNECTOR 8PIN P=2.0MM
CN2,7	082-10900100	CONNECTOR 9PIN P=2.0MM
CN3	082-11000100	CONNECTOR 10PIN P=2.0MM
CN8	082-10240100	CONNECTOR 2PIN P=2.5MM
CN1	082-10540100	CONNECTOR 5PIN P=2.5MM
D3,4,5,6,7,8,18,19 20,21,24,25	077-00414801	DIODE, 1N4148
D14,15,16,17	⚠ 077-10400201	DIODE, 1N4002
D10,11,12,13	⚠ 077-10539201	DIODE, 1N5392
FUSE1	⚠ 090-12531522	FUSE, 15A 250V "UL" MARK
FUSE2	⚠ 090-12520022	FUSE, 2A 150V "UL" MARK
IC1	075-00817601	IC:TA8176SN
IC2	075-00205701	IC:TA2057N
IC3	075-00818901	IC:TA8189N
IC4	075-00207801	IC:TA2078P
IC5	075-00405201	IC:TC4052BP
IC6	075-00225309	IC:PT2253A
IC7	075-00428212	IC:LA4282
JK1,2	086-GF600021	RCA PHONE JACK

MAIN PCB ASSY

REF.NO	PARTS NO.	DESCRIPTION
L6,7	095-00100001	INDUCTOR 10UH 0.5W (AL0305-100K)
L8	078-08450351	FM BPF COIL Ø4.5MMx3.5TxØ0.8MM
L3	078-08500351	FM RF COIL Ø5.0MMx3.5TxØ0.8MM
L2	078-08500251	FM OSC COIL Ø5.0MMx2.5TxØ0.8MM
L1	079-D2930320	FM IFT COIL 3F021C ORANGE
L4	079-D2800011	AM IFT COIL 3A007C YELLOW
L5	079-D2930210	AM OSC COIL 3M005 RED
Q2,19,20,21,23 24,25,26,27,28 35,36	076-09014C00	TRANSISTOR:9014C
Q18,26	076-09015C00	TRANSISTOR:9015C
Q1,8,9,10,11,12 13,14,15,16,30	076-00C94500	TRANSISTOR:2SC945
Q3,5,7	076-00A73300	TRANSISTOR:2SA733
Q4	076-C2001L00	TRANSISTOR:2SC2001L
Q6	076-DTC11400	TRANSISTOR:DTC114ES
Q22,29,33	076-00B54400	TRANSISTOR:2SB544F
Q31	076-00B98600	TRANSISTOR:2SB986
TC2,4	073-00020022	TC 20PF
VD1,2	077-50010101	ISV101 (TOSHIBA)
VD3,4	077-50014901	ISV149 (TOSHIBA)
XT01	093-A0750002	XTAL 75KHz
X101	093-11693002	XTAL 16.93MHz
ZD1	077-3006B10H	ZENER DIODE 5.6V 0.5W
ZD4	077-3006C20H	ZENER DIODE 6.2V 0.5W
ZD3	077-3009A20H	ZENER DIODE 8.2V 0.5W
ZD2	077-3011C10H	ZENER DIODE 11V 0.5W

GF-600 MAIN PCB



GF-600 MAIN PCB

062-G6000010

94V0 REV:01 2003.03.05

GF-600 MAIN PCB

CD PCB ASSY

REF. NO	PARTS NO.	DESCRIPTION
	100-29302060	CD PCB ASSY
	062-29300001	CD PCB
	018-0LT98000	HEAT SINK
C103,124,126,138	072-11000162	E/C CAP 100UF/16V M
C104,112,130,134	070-34000507	CERAMIC CAP 0.04UF 50V Y5U M
135		
C106	072-00470503	E/C CAP 0.47UF±10%/50V
C113,132,162	070-31000506	CERAMIC CAP 0.01UF 50V Y5U M
C105,108,123,136	070-50100507	CERAMIC CAP 0.1UF 50V Y5U M
155,157,167,168		
C109,153	071-31001001	MYLAR CAP 0.01UF 100V J
C114	070-32200507	CERAMIC CAP 0.22UF 50V M
C117	072-A3300503	E/C CAP 3.3UF/50V M
C107	072-02200251	E/C CAP 22UF/25V M
C118	072-01000251	E/C CAP 10UF/25V M
C111	072-04700161	E/C CAP 47UF/16V M
C119,120	072-01000252	E/C CAP 10UF/25V M
C121	071-35601001	MYLAR CAP 0.056UF 100V J
C122	071-33301001	MYLAR CAP 0.033UF 100V J
C110,116	071-30151001	MYLAR CAP 0.0015UF 100V J
C150,151,152,158	070-11000502	CERAMIC CAP 100PF 50V NPO J
C145,170	070-14700504	CERAMIC CAP 470PF 50V Y5E K
C101,127,149,159	072-11000161	E/C CAP 100UF/16V M
160,161		
C166	072-14700161	E/C CAP 470UF/16V M
C163	072-12200161	E/C CAP 220UF/16V M
C141,147	070-02500502	CERAMIC CAP 25PF NPO J
C146	070-02700502	CERAMIC CAP 27PF NPO J
C143	070-11200502	CERAMIC CAP 120PF 50V NPO J
C102	072-00680503	E/C CAP 0.68UF±105/50V
C144	072-A1000501	E/C CAP 1UF/50V M
C156	072-A4700502	E/C CAP 4.7UF/50V M
C154	072-01000251	E/C CAP 10UF/25V M
C129,133	072-04700161	E/C CAP 47UF/16V M
C115	072-12200162	E/C CAP 220UF/16V M
CN105	082-20500100	CONNECTOR 5PIN P=2.0MM 90°C WHITE
CN104	082-20600100	CONNECTOR 6PIN P=2.0MM 90°C WHITE
CN103	082-20800200	CONNECTOR 8PIN P=2.0MM 90°C BROWN
CN102	082-20800100	CONNECTOR 8PIN P=2.0MM 90°C WHITE
CN101	082-21500100	CONNECTOR 15PIN P=2.0MM 90°C WHITE

CD PCB ASSY

REF.NO	PARTS NO.	DESCRIPTION
IC101,102	075-07291S11	IC:TA7291S
IC103	075-02065F31	IC:TA2065F
IC104	075-9284BF31	IC:TC9284BF
IC105	075-02092N01	IC:TA2092N
IC106	075-04558N18	IC:BA4558N
Q101	076-09015C00	TRANSISTOR:9015C
Q102,103,104	076-09014C00	TRANSISTOR:9014C
VR101	092-50100300	VR 100K OHM
VR102	092-30300300	VR 3K OHM
X101	093-11693002	XTAL 16.93MHz
ZD101	077-3006B10H	ZENER DIODE 5.6V 0.5W

GF-600

FRONT PCB ASSY

REF. NO	PART NO.	DESCRIPTION
	100-G6002020	FRONT CONTROL PCB ASSY
	062-G6000020	FRONT CONTROL PCB
C2,4,5	070-30220505	CERAMIC CAP 0.002UF 50V Y5P K
C7,8,9,13	070-30100505	CERAMIC CAP 0.001UF 50V Y5P K
C011,014,016	070-50100507	CERAMIC CAP 0.1UF 50V Y5U M
C12	071-31801001	MYLAR CAP 0.018UF 100V J
C17	070-03000502	CERAMIC CAP 30PF 50V NPO J
C6	070-13300504	CERAMIC CAP 330PF 50V Y5E K
C010	072-14700101	E/C CAP 470UF/10V M
D01,02,03,04,05,06 07,08,010,011,012,013 16,019,020,021,022 23,024	077-00414801	DIODE 1N4148
D9,15,17	077-10400201	DIODE 1N4002
LED01,02	094-03020301	LED: Ø3MM ORANGE
IC01	075-09314F31	IC:MICON TC9314F-034
Q01,02,03,04,05	076-09014C00	TRANSISTOR:9014C
SW023,024,011,013	063-D2800020	TACT SWITCH SKHHALM
SW01~010,012,014~020	063-0GP28020	TACT SWITCH H=5.0MM
SW025,026	063-8699T211	PUSH SWITCH PSP10055AB901
XTO1	093-A0750002	XTAL 75KHz

HEADPHONE/SENSOR PCB ASSY

REF. NO	PART NO.	DESCRIPTION
	062-G6000030	HEADPHONE/SENSOR PCB
C03	070-30220505	CERAMIC CAP 0.002UF 50V Y5P K
CN08	082-10300100	CONNECTOR 3PIN P=2.0MM
JK5	064-64020101	HEAD PHONE JACK Ø6.4MM
U01	083-GF600000	REMOCON SENSOR PIC2031SMB

CD OPEN/CLOSE PCB ASSY

REF. NO	PART NO.	DESCRIPTION
	062-G6000030	CO OPEN/CLOSE PCB
SW021,022	063-0GP28020	TACT SWITCH H=5.0MM

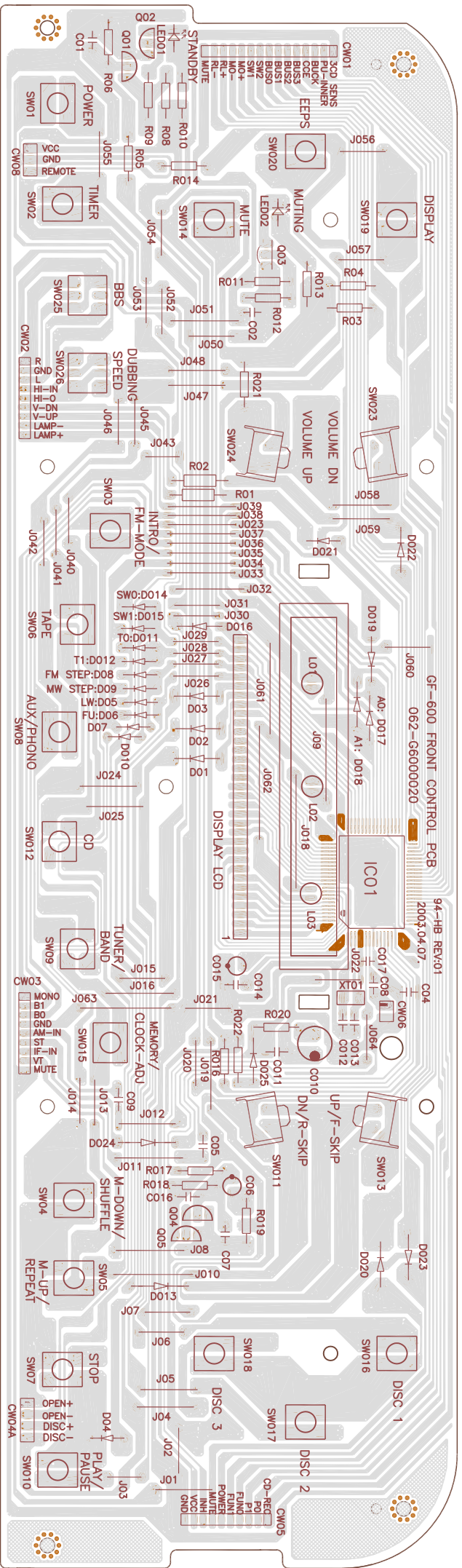
PHONO SPEED SWITCH PCB ASSY

REF. NO	PART NO.	DESCRIPTION
	062-G6000030	PHONO SPEED SWITCH PCB
SW501	063-GF100110	PHONO SPEED SWITCH 2P3T

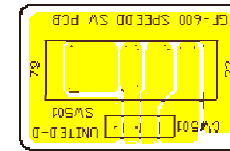
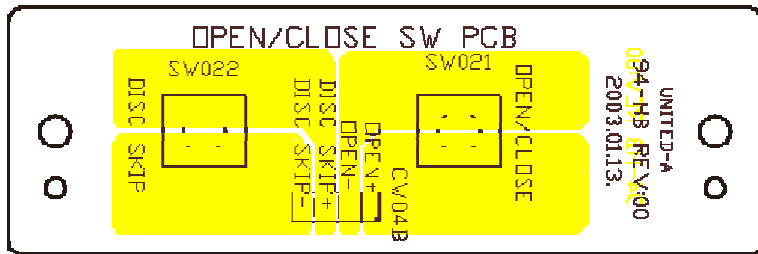
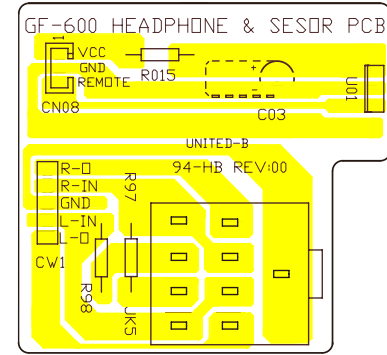
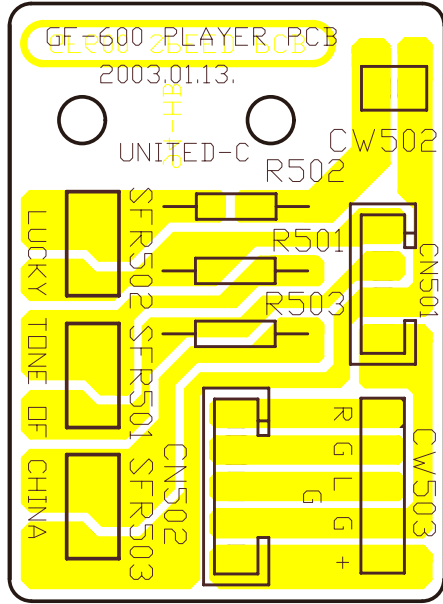
PHONO SPEED PCB ASSY

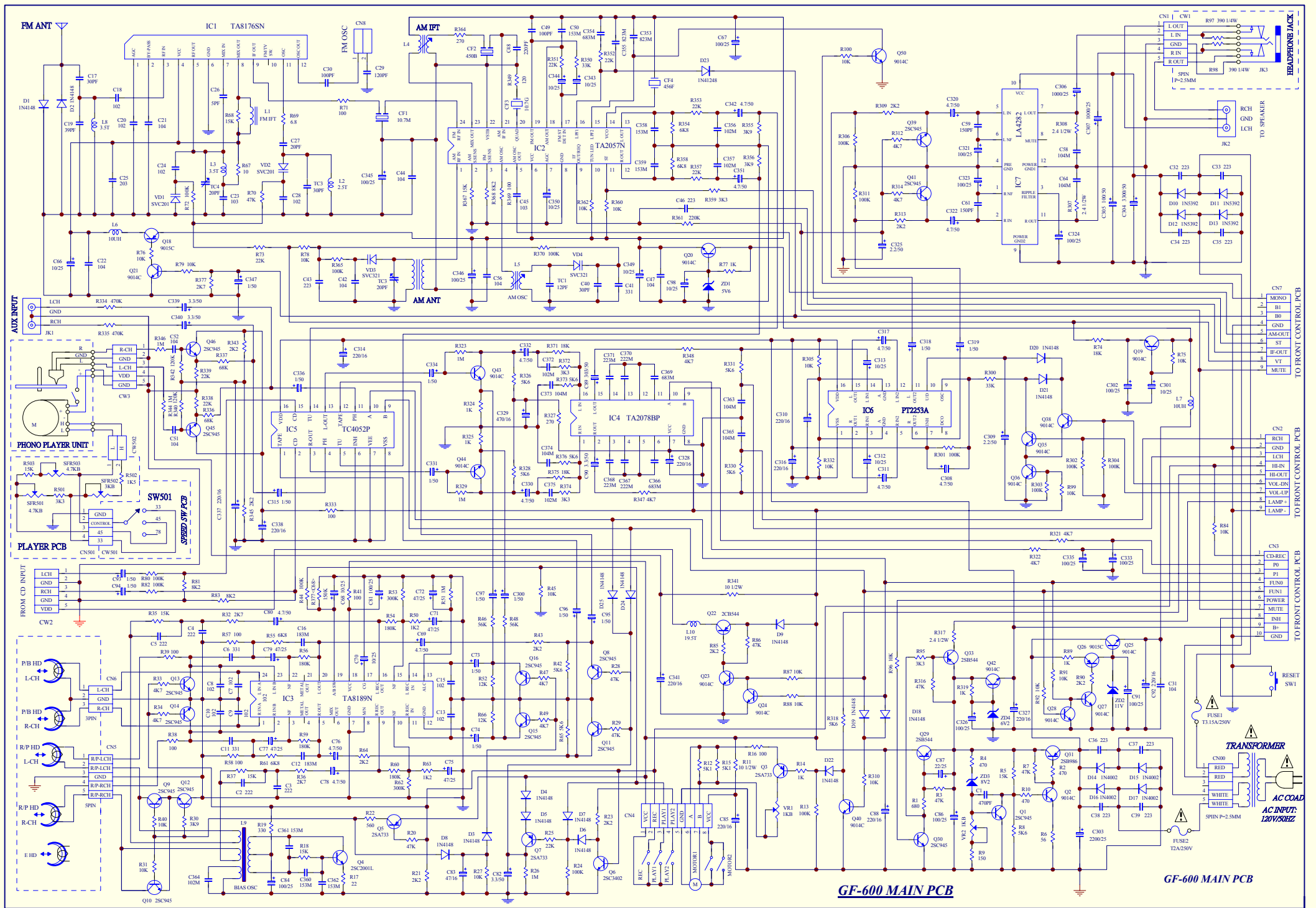
REF. NO	PART NO.	DESCRIPTION
	062-G6000030	PHONO SPEED PCB
CN501	082-10440100	CONNECTOR 4PIN P=2.5MM
CN502	082-10540100	CONNECTOR 5PIN P=2.5MM
SFR501,503	092-30470000	S.F.R. 4.7K PA0630-VA1-B472HR
SFR502	092-30300000	S.F.R. 3K PA0630-VA1-B302HR

GF-600 FRONT CONTROL PCB



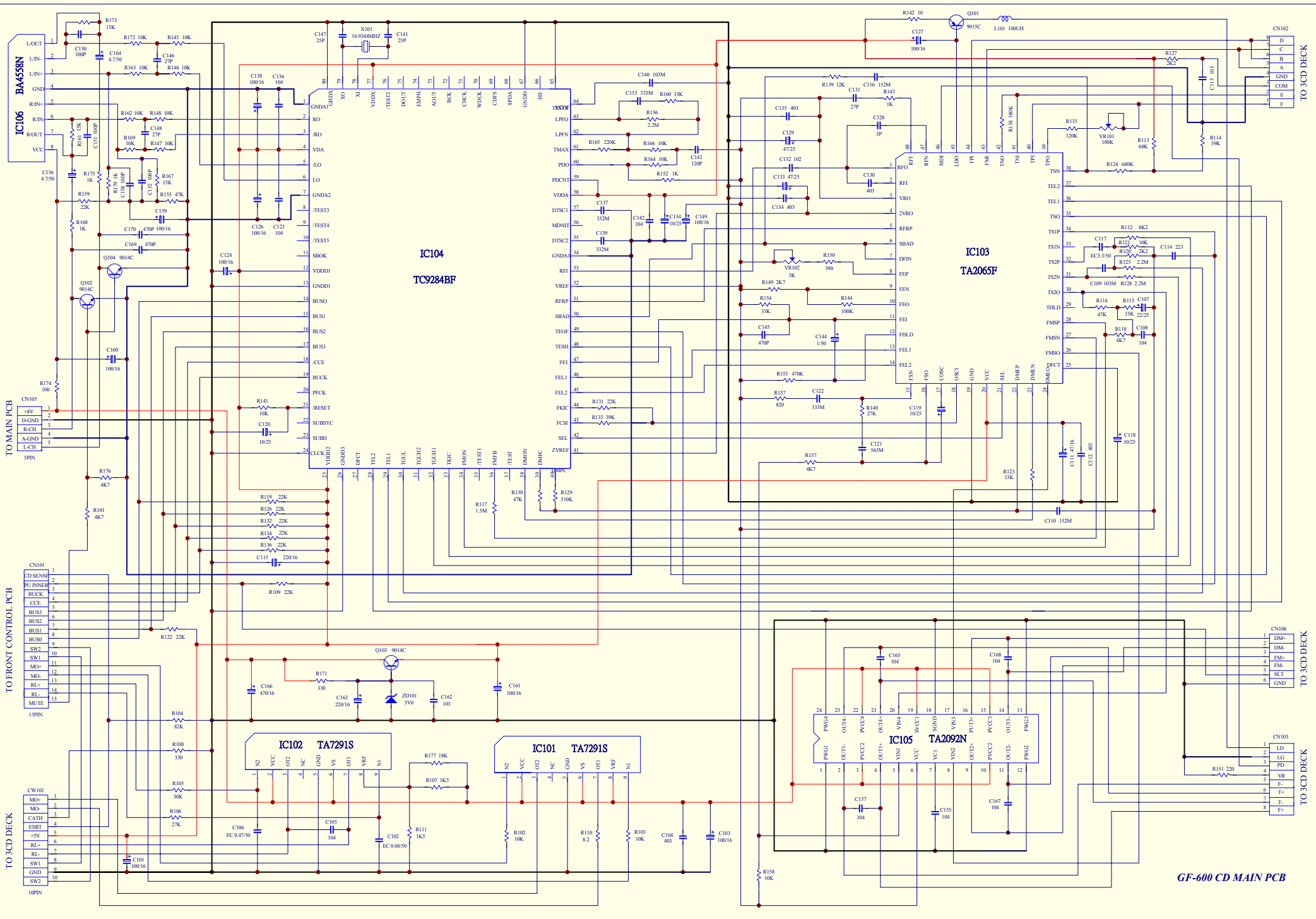
GF-600





GF-600 MAIN PCB

GF-600 MAIN PCB



GF-600 CD MAIN PCB

